



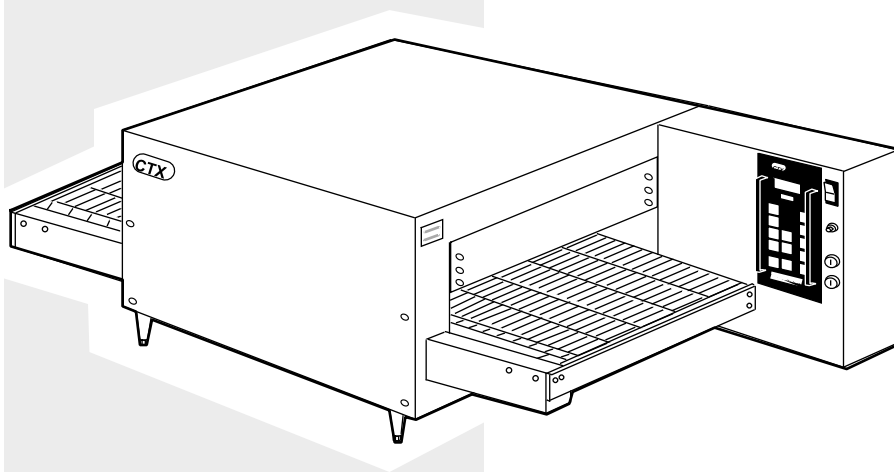
parts manual

MODEL G-26 INFRARED CONVEYOR OVEN

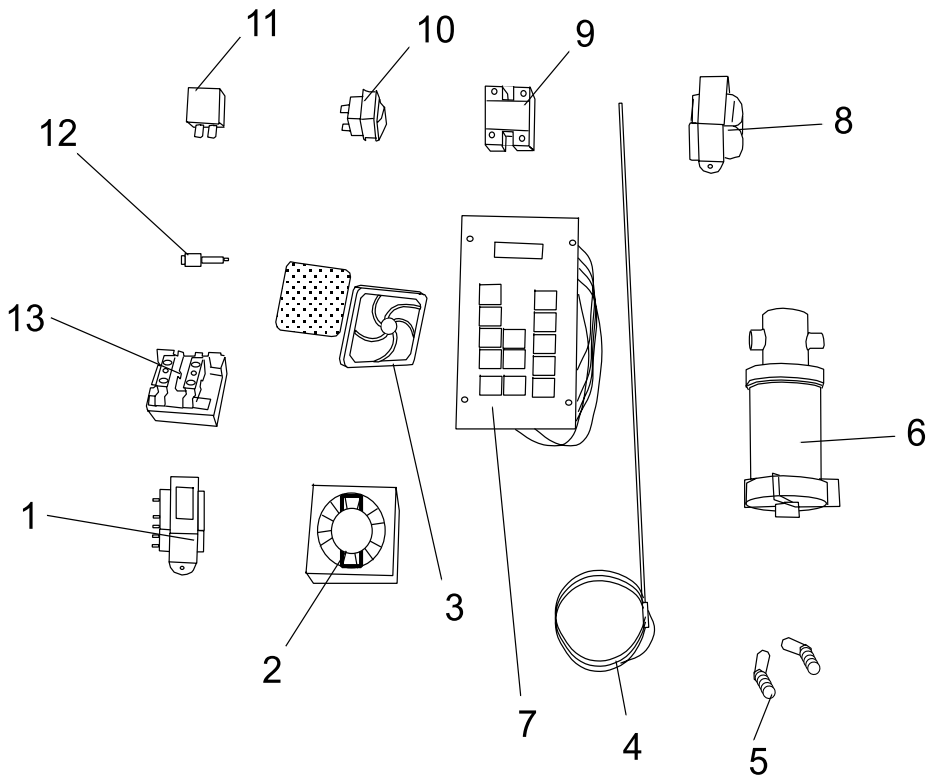
CONTENTS

page

KEY SPARE PARTS KIT	2
HEATING ELEMENTS AND THERMOCOUPLES	3
BODY COMPONENTS	4-5
ELECTRICAL COMPONENTS	6-7

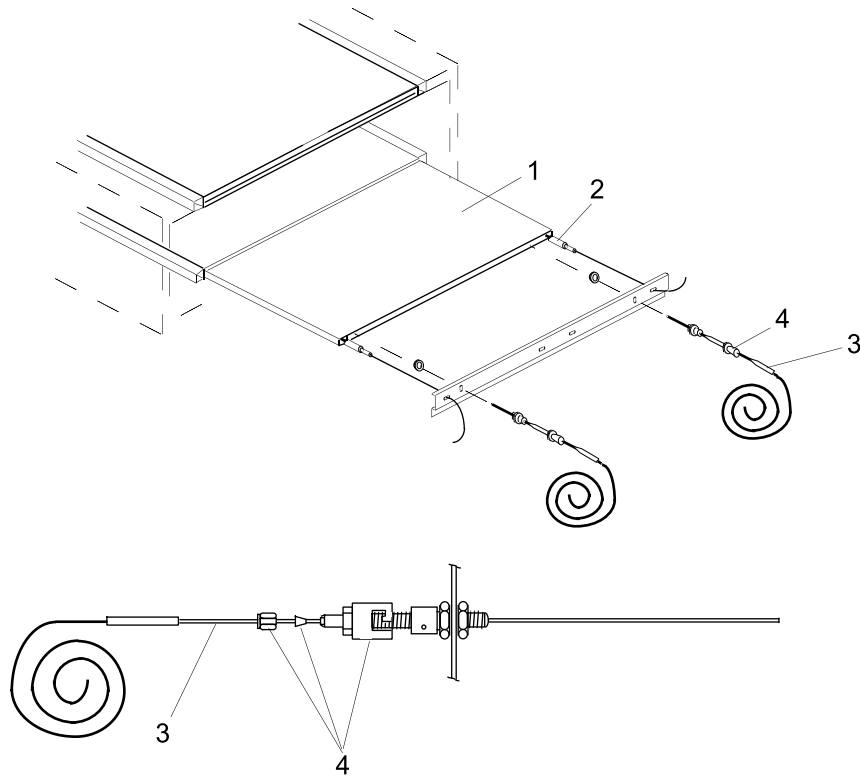


Key Spare Parts Kit (Kit P/N ACSKG26)

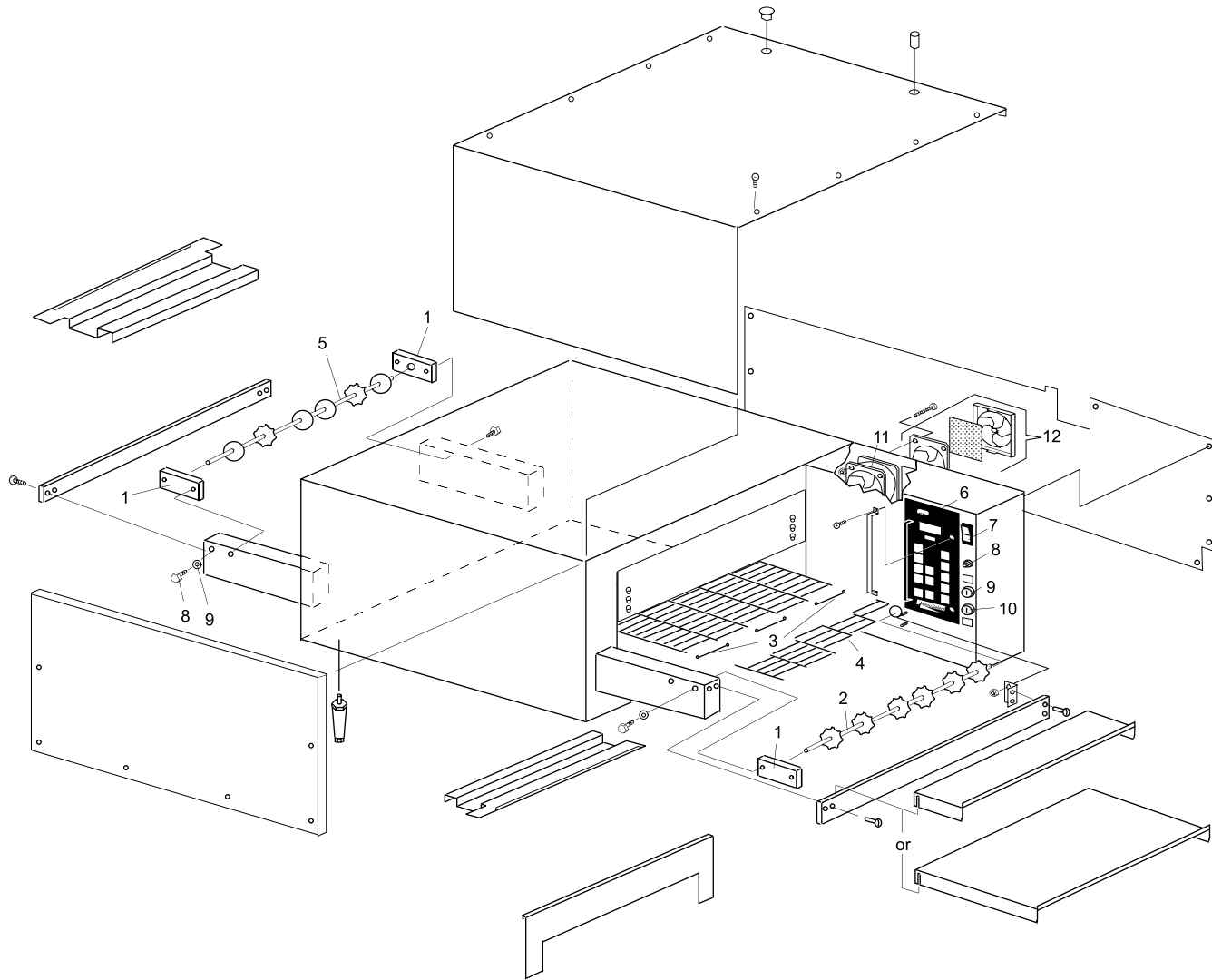


ITEM	PART #	QUANTITY	DESCRIPTION
1	7608516	1	Transformer Ass'y, 32V
2	3002686	1	Cooling Fan
3	3000330	1	Cooling Fan Grille And Filter
4	3004265	1	Thermocouple
5	3002755	2	Motor Brushes
6	34079	1	Gear Motor
7	7610250	1	Control, MenuSelect G26
8	97397	1	Transformer, 12V
9	82905	1	Solid State Relay
10	3003839	1	Rocker Switch, SPST
11	3000227	1	Circuit Breaker
12	97393	1	Bayonet Lock Ass'y
13	3002918	1	Main Relay

Heating Elements and Thermocouples



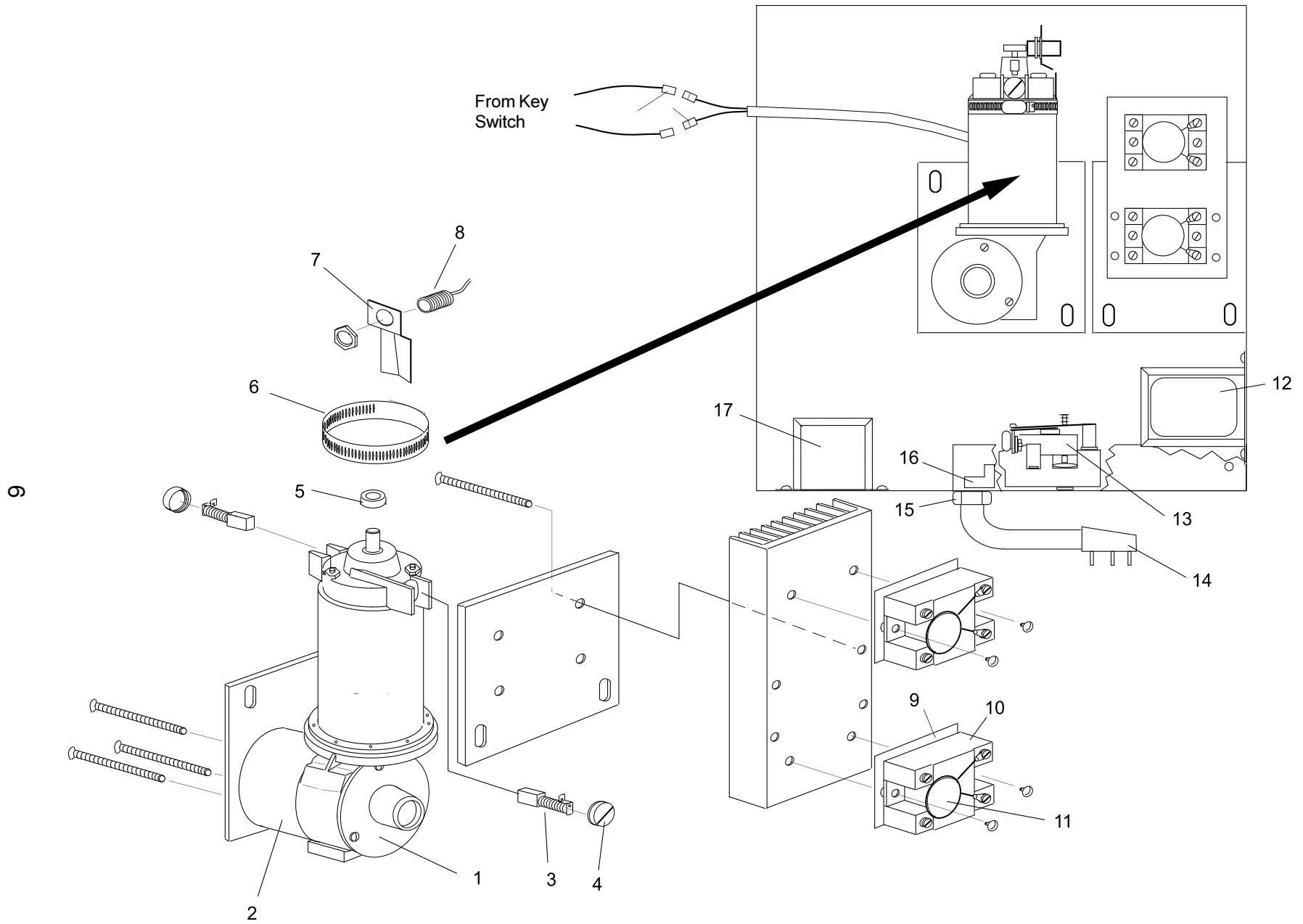
ITEM	PART #	QUANTITY	DESCRIPTION
1	7610794	2	HEATING ELEMENT - HEARTH PLATE, 208V
	7609642	2	HEATING ELEMENT - HEARTH PLATE, 240V
2	33055	4	PORCELAIN TUBE
3	3004265	4	THERMOCOUPLE <i>NOTE: Always replace bayonet fitting when replacing thermocouple.</i>
4	97393	4	BAYONET FITTING w/COMPRESSION FERRULE



Body Components - Exploded View

Body Components - Parts List

ITEM	PART #	QUANTITY	DESCRIPTION
1	3100335	3	BEARING
2	7610247	1	DRIVE SHAFT - CONVEYOR
3	3101175	3	MASTER LINKS
4	30250	1	CONVEYOR BELT (COMPLETE, 16"/406mm W x 90"/2286mm L)
	3101174	(7.5)	CONVEYOR BELT (16"/406mm W x 12"/305mm L)
5	7610248	1	IDLER SHAFT, CONVEYOR
6	7610250	1	CONTROL MENUSELECT
7	3003839	1	SWITCH, SPST ROCKER
8	3000227	1	CIRCUIT BREAKER
9	7610287	1	KEYSWITCH ASSEMBLY, LOCKOUT
10	7610288	1	KEYSWITCH ASSEMBLY, MOTOR REVERSE
11	3002686	1	FAN 230VAC
12	3000330	1	FILTER/GRILL ASSEMBLY, FAN
	3102458	1	FILTER ONLY
Not Shown	3006034	1	HIGH LIMIT SENSOR




Electrical Components - Exploded View

Electrical Components - Parts List

ITEM	PART #	QUANTITY	DESCRIPTION
1	34079	1	GEAR MOTOR KIT, 60:1 (CURRENT)
	3002751	1	GEAR MOTOR (PREVIOUS STYLE)
2	7005390	1	BEARING MOTOR MOUNT
3	3002755	2	BRUSH MOTOR
4	3002756	2	CAP BRUSH
5	97217	1	MAGNET - CERAMIC - 4 POLE
	34080	1	MAGNET W/SCREW
6	220416	1	HOSE CLAMP
7	22450-0248	1	SENSOR BRACKET
8	35208	1	SENSOR ASSEMBLY
9	220009	2	PTFE PAD
10	82905	2	SOLID STATE RELAY
11	3430108A	2	VARISTOR ASSEMBLY
12	7608516	1	TRANSFORMER 32V
13	3002918	1	RELAY
14	3001126	1	CORD AND PLUG ASSEMBLY
15	3000419	1	STRAIN RELIEF
16	87037	1	GROUND LUG
17	97397	1	TRANSFORMER, 12V



 is a registered trademark of CTX, A Middleby Company. All rights reserved.

CTX • 1400 Toastmaster Drive • Elgin, IL 60120 • USA • (847)741-3300 • FAX (847)741-4406

Middleby Corp 24-Hour Service Hotline 1-800-238-8444

www.middleby.com